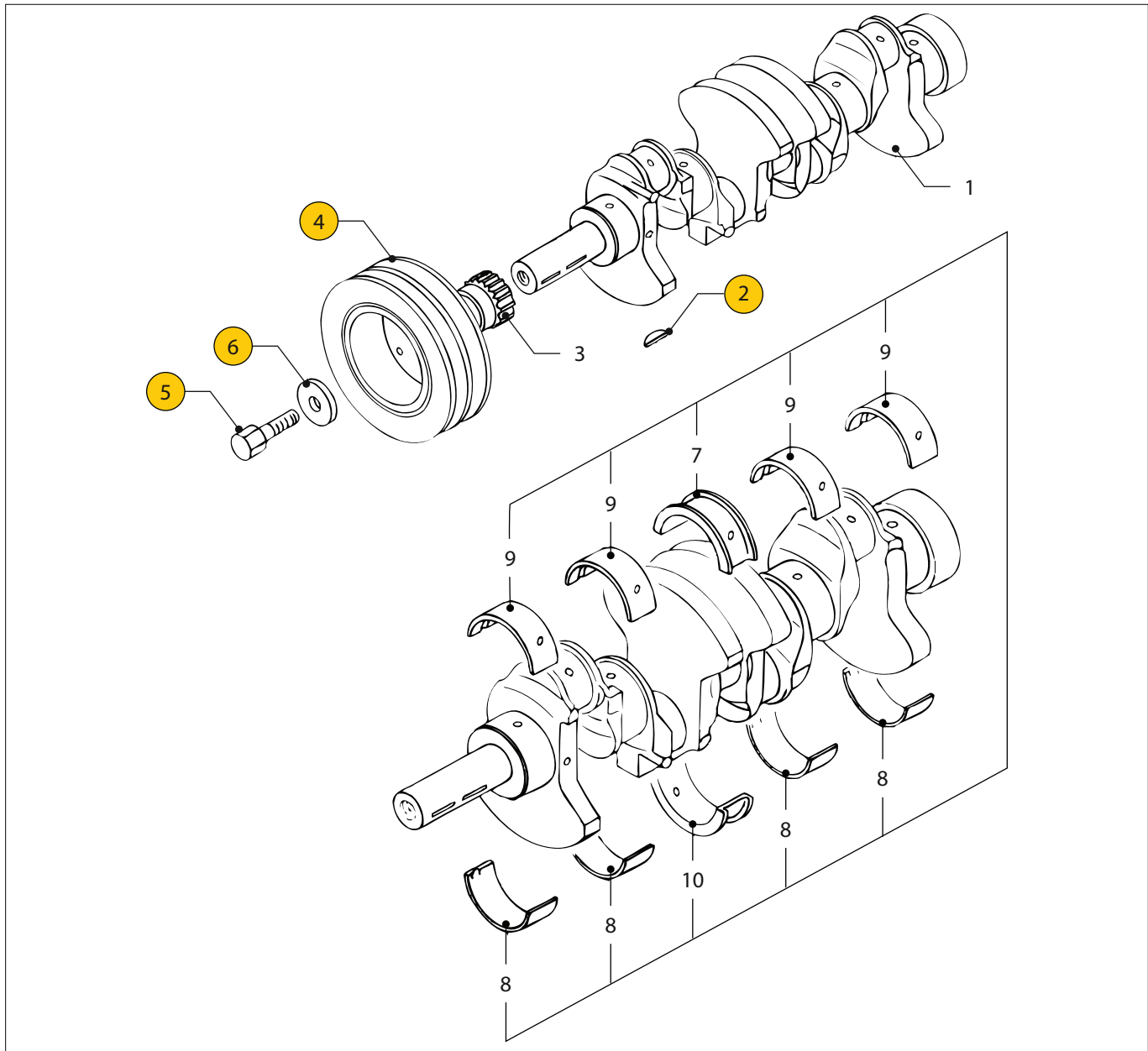


VH4.65 VH4.80

Krukas

Crank shaft

pos.	qty	part	benaming	description
1	1	STM4785	Krukas	Crank shaft
2	1	STM4786	Spie	Key
3	1	STM4787	As	Shaft
4	1	STM4788	Demper/snaarschijf	Damper/pulley
5	1	STM4789	Bout	Bolt
6	1	STM4790	Ring	Washer
7	1	STM4791	Lager STD1	Bearing STD1
	1	STM4792	Lager STD2	Bearing STD2
	1	STM4793	Lager STD3	Bearing STD3
	1	STM4794	Lager STD4	Bearing STD4
	1	STM4795	Lager STD5	Bearing STD5
8	1	STM4796	Lager STD1	Bearing STD1
	1	STM4797	Lager STD2	Bearing STD2
	1	STM4798	Lager STD3	Bearing STD3
	1	STM4799	Lager STD4	Bearing STD4
	1	STM4800	Lager STD5	Bearing STD5



VH4.65 VH4.80

Krukas

Crank shaft

pos.	qty	part	benaming	description
9	1	STM4801	Lager STD1	Bearing STD1
	1	STM4802	Lager STD2	Bearing STD2
	1	STM4803	Lager STD3	Bearing STD3
	1	STM4804	Lager STD4	Bearing STD4
	1	STM4805	Lager STD5	Bearing STD5
10	1	STM4806	Lager STD1	Bearing STD1
	1	STM4807	Lager STD2	Bearing STD2
	1	STM4808	Lager STD3	Bearing STD3
	1	STM4809	Lager STD4	Bearing STD4
	1	STM4810	Lager STD5	Bearing STD5