

MAX SET Bow Rollers

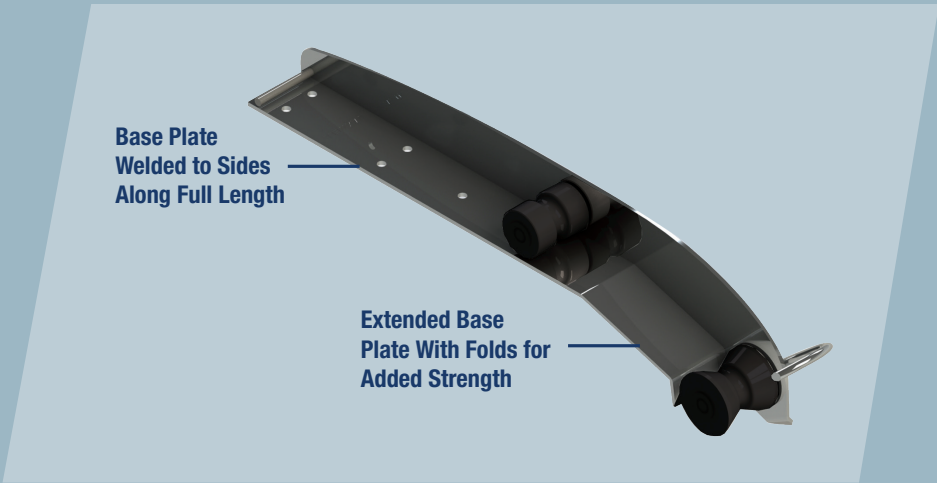
Features

- Self launching design.
- Designed to fit MAXset anchors perfectly ensuring the anchor fits snugly into roller eliminating noise.
- Includes Locking Pin for securing the anchor when underway, a storage location is provided for storing the pin while the anchor is in use.
- The rollers are designed to allow a MAXset anchor to self right if pulled into Bow Roller at any angle.
- The heavy gauge welded base plate extends forward of the bow to provide superior strength and security.
- Optional Backing Plate for spreading load.

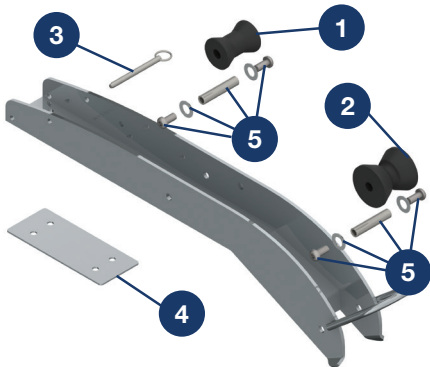
Item Codes	
Code	Item Description
P105074	MAXset 4-6 Bow Roller - Satin finish
P105075	MAXset 4-6 Bow Roller - Polished
P105076	MAXset 10 Bow Roller - Satin finish
P105077	MAXset 10 Bow Roller - Polished
P105078	MAXset 16 Bow Roller - Satin finish
P105079	MAXset 16 Bow Roller - Polished
P105080	MAXset 20 Bow Roller - Satin finish
P105081	MAXset 20 Bow Roller - Polished
P105082	MAXset 25-40 Bow Roller - Satin finish
P105083	MAXset 25-40 Bow Roller - Polished
7895	Backing Plate for MAXset Bow Rollers

Maxwell 0714001A





- Available in two finishes, Satin finish stainless for ease of cleaning (water spots and scuff marks do not stand out) and mirror Polished stainless for the high class look
- The Bow Roller is made out of 304 grade stainless steel which provides superior strength to 316 and is then chemically treated to further improve corrosion resistance
- The rollers are made from UV resistant materials for long life and are available separately as spare parts
- The Bow Roller is fixed to the deck using 5 x M10 (3/8") bolts (not supplied) and a heavy gauge backing plate is available separately to evenly spread the loads below deck
- Model and drawings are available from www.vetus.sharefile.com (refer to your Maxwell representative for login information)
- A video showing the above features is on our YouTube Channel <http://goo.gl/Ynro4Y> (case sensitive)



Item No		MAXset 4-6 Bow Roller	MAXset 10 Bow Roller	MAXset 16 Bow Roller	MAXset 20 Bow Roller	MAXset 25-40 Bow Roller
1	Plastic Roller	SP4494	SP4495	SP4495	SP4495	SP4801
2	Plastic Roller	SP4496	SP4496	SP4496	SP4496	SP4801
3	Quick Release Pin	SP0554	SP0554	SP0554	SP0554	SP0558
4	Backing Plate	7895	7895	7895	7895	7969
5	Roller Shaft Kit	P90018	P90019	P90019	P90019	7970

Maxwell 0714001A



Locking Pin in storage location



Locking Pin in lock location

- The Locking Pin can be inserted through the hole in the anchor shank to secure the anchor while underway, when not in use the Locking Pin can be stored out of the way in the storage location provided
- The Bow Roller is designed to suit the MAXset anchor however other common anchors will fit (but rollover and Locking Pin features are not guaranteed to work)

